



Regulating Throttle Failure

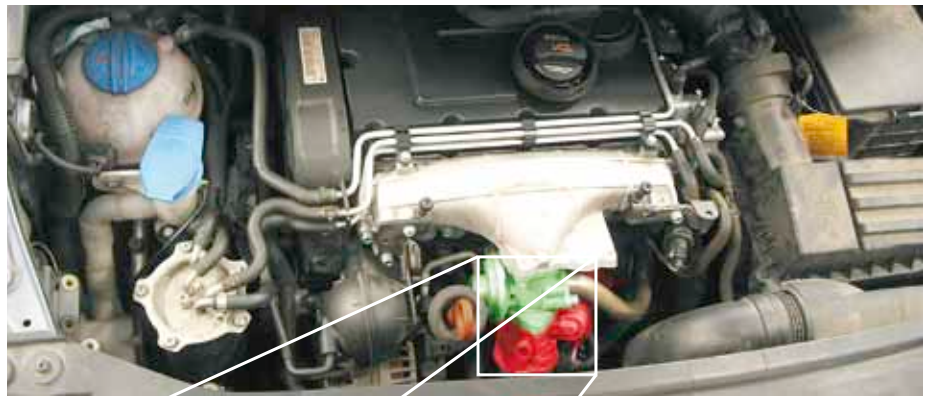
in the VW Touran, Golf V, Audi A3 with 2.0 TDI engine

Vehicle	Product: Regulating throttle		
Audi A3 2.0 TDI	PIERBURG No. 7.14393.26.0	Replacement for 7.14393.11.0/.16.0/.20.0	O.E. No.* 038128063G
VW Touran 2,0 TDI			
VW Golf V 2.0 TDI			



Possible complaints:

- Indication of “Emission, Workshop” on the multifunction display
- Engine temperature increases
- Error light is on constantly
- “Shutdown shuddering” after shutting down the engine



View into the engine compartment of the Touran
 Emphasised in green: EGR valve
 Emphasised in red: regulating throttle

These complaints may be due to a defective or damaged regulating throttle.

Functions of the regulating throttle¹

The pressure difference alone between the exhaust and the intake side will be inadequate for the high exhaust gas return rates required in connection with Diesel vehicles.

In order to increase the vacuum, “control bodies” are fitted in the intake manifold for precisely controlling the exhaust gas return rates.

When shutting down the engine, the regulating throttle is closed early so as to avoid any “shutdown shuddering”.



Close-up view of the regulating throttle (emphasised in red)

¹ In practice a number of different terms are used for regulating throttles, like throttle valve, Diesel valve, or intake-manifold throttle. The designation used by VOLKSWAGEN is “intake manifold flap”.



Product view of the regulating throttle

The right of changes and deviating pictures is reserved. Assignment and usage, refer to the each case current catalogues, TecDoc CD respectively systems based on TecDoc.

* The reference numbers given are for comparison purposes only and must not be used on invoices to the consumer.



Further information

The regulating throttle and the engine fan are protected by the same fuse. When this fuse blows, the engine fan will also stop running – the engine temperature can increase.

Possible manufacturer-specific error codes can be, for example:

- Fault code P2102
“Throttle Actuator Control Motor Circuit”
- Fault code 19557
“Motor for Intake Manifold Flap”
- Fault code 17075
“Engine coolant blower motor”

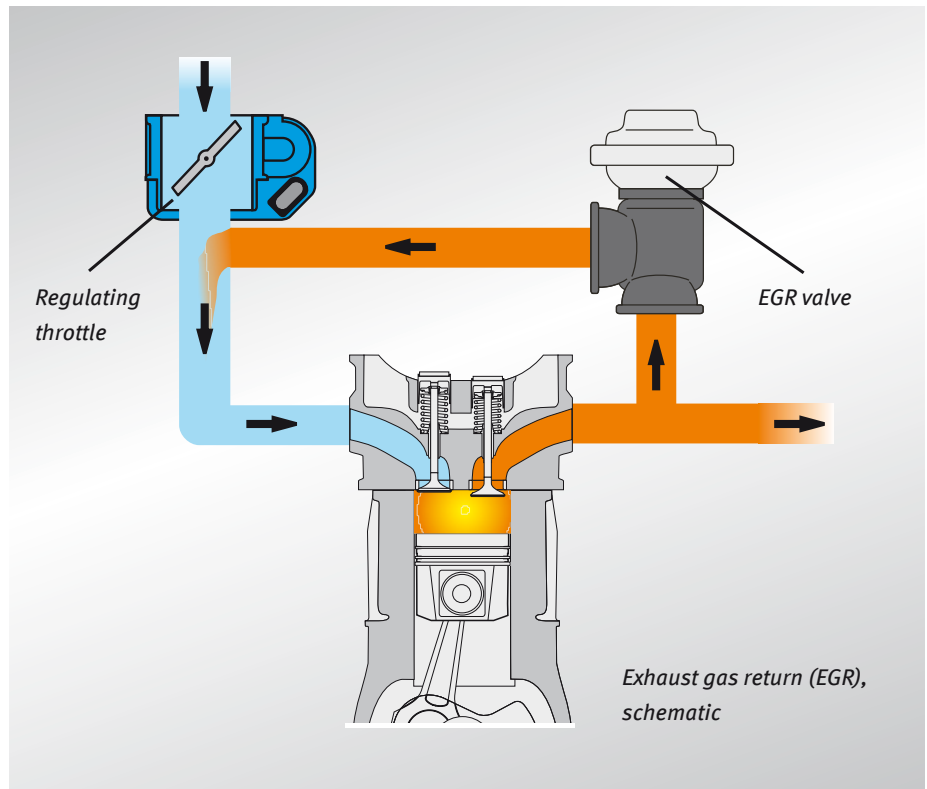
Remedy

- With the aid of an engine tester perform an actuator diagnosis. Through the actuator diagnosis the regulating throttle is driven in intervals. If switching can be felt and heard, then the power supply will be okay.
- A defective regulating throttle must be replaced by a new one.
- Check the fuse. Replace a blown fuse by a new fuse of the same amp. rating.

Never insert a fuse with a higher fuse rating compared to the rating (10 amps) specified by the manufacturer.

We do not recommend cleaning of the regulating throttle:

- In the case of a defective regulating throttle suffering from the damage described overleaf, cleaning will not result in an improvement.
- A functional regulating throttle could be damaged by cleaning it.



New regulating throttle



Regulating throttle suffering from oil contamination