

3.4 PIERBURG and OBD

As specialist in mixture formation, fuel and vacuum supply, air control and emissions control, Pierburg is very involved in the development and production of today's components.

Statistically there are 3.2 PIERBURG components in every passenger vehicle that is manufactured in Europe. The majority is monitored directly or indirectly by OBD.

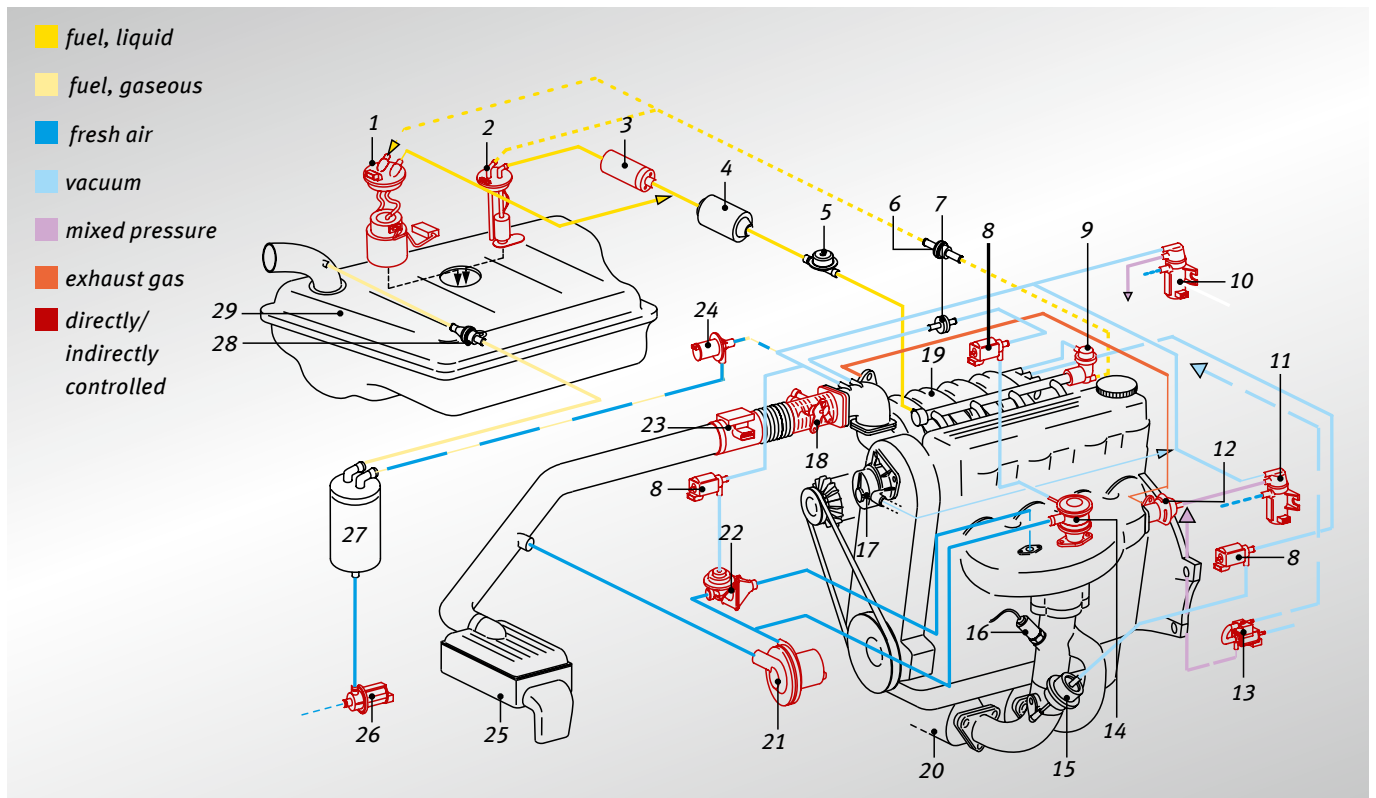


Fig. 13: exhaust gas relevant Pierburg products (petrol and diesel), schematic

PIERBURG products

- 1 fuel in-tank module
- 2 in-tank/presupply pump
- 3 in-line pump
- 4 fuel filter
- 5 pulsation damper
- 6 fuel check valve
- 7 non-return valve
- 8 electric switch-over valve (EUV)
- 9 pressure regulator
- 10 electropneumatic pressure transducer (EPW) for actuation turbocharger (VTG)
- 11 electropneumatic pressure transducer (EPW) for actuation EGR valve
- 12 EGR valve/exhaust gas recirculation valve

- 13 electric transducer (EDW)
- 14 cut-off secondary air valve (ARV)
- 15 exhaust gas flap
- 17 vacuum pump
- 18 throttle body (with attachments such as throttle switch, idling actuator, idle speed actuator etc.)
- 19 intake manifold (with attachments electromotive drive module EAM-i)
- 21 electric secondary air pump (SLP)
- 22 combi valve
- 23 air mass sensor (LMS)
- 24 canister purge valve/regeneration valve
- 26 canister purge valve
- 28 tank pressure valve –Water circulating pump (WCP not shown)

External product

- 16 lambda probe (pre-catalyst probe)
- 20 catalytic converter
- 25 air filter⁴⁾
- 27 activated carbon filter (AKF)
- 29 fuel tank
- turbocharger (not shown)

The individual systems and components are explained in the following section in greater detail.

⁴⁾ Air filter inserts are part of the scope of delivery of MS Motor Service (for further reading: please refer to Section 6.4).