



KS PERMAGLIDE® plain bearings

Calibrating the bearing bore after mounting

Calibrating the bearing bore after mounting

(Only applies to P1 plain bearings)

Calibration

KS PERMAGLIDE® plain bearings are ready to install on delivery, and should only be calibrated if a bearing clearance with a narrower tolerance cannot otherwise be reached.

Attention:

Calibration considerably shortens the service life of KS PERMAGLIDE® P1 bushes (see Tab. 1).

Figure 1 shows calibration using a mandrel.

Table 1 contains standard values for the diameter of the calibrating mandrel d_K . Precise values can only be ascertained through tests.

Better possibilities

The bearing clearance tolerance can be reduced through the following measures, which do not adversely affect service life:

- Narrower tolerances for housing bore
- Narrower shaft tolerances

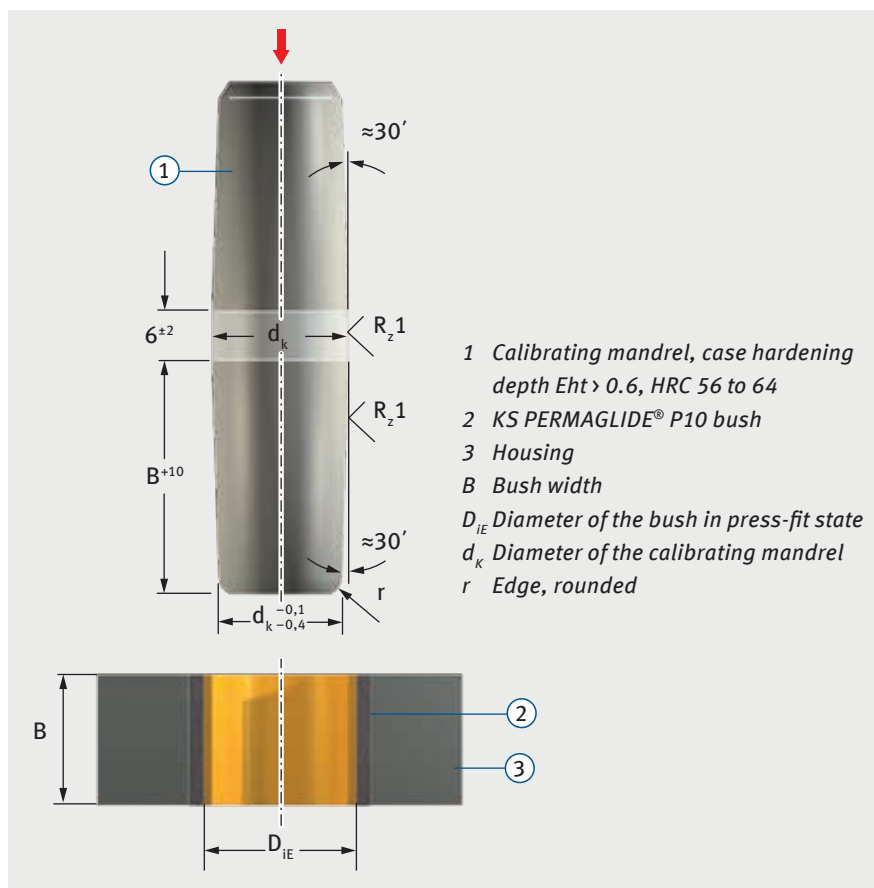


Fig. 1: Calibration

Desired inside diameter of bush	Diameter of calibrating mandrel ¹⁾ d_K	Service life ²⁾
D_{IE}	–	100% L_N
$D_{IE} + 0.02$	$D_{IE} + 0.06$	80% L_N
$D_{IE} + 0.03$	$D_{IE} + 0.08$	60% L_N
$D_{IE} + 0.04$	$D_{IE} + 0.10$	30% L_N

Tab. 1: Standard values for the calibration mandrel diameter and the reduction in service life

D_{IE} Inside diameter of the bush in press-fit state.

¹⁾ Standard value, based on steel housing.

²⁾ Standard value for dry running.