

# KS PERMAGLIDE® plain bearings

## Plain bearing mounting: Press-fitting methods

KS PERMAGLIDE® bushes can simply be pressed into the housing bore. Applying a little oil to the back of the bush or the housing bore facilitates the press-fitting operation.

### Recommended press-fitting methods

For outside diameters  $D_o$  up to around 55 mm:

- Flush press-fitting with mandrel, without auxiliary ring, as per Fig. 2.
- Recessed press-fitting with mandrel, without auxiliary ring, as per Fig. 3.

For outside diameters  $D_o$  from around 55 mm:

- Press-fitting with mandrel and auxiliary ring, as per Fig. 4.



### Attention:

Ensure cleanliness during mounting. Dirt reduces the service life of the bearing assembly.

Take care not to damage the sliding layer. Note the installation position, if given.

Do not position the joint in the main load zone.

### Avoid an inclined position or axis offset

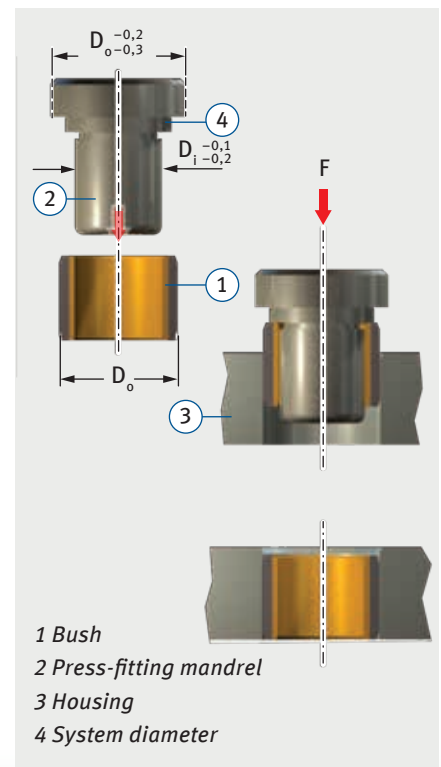
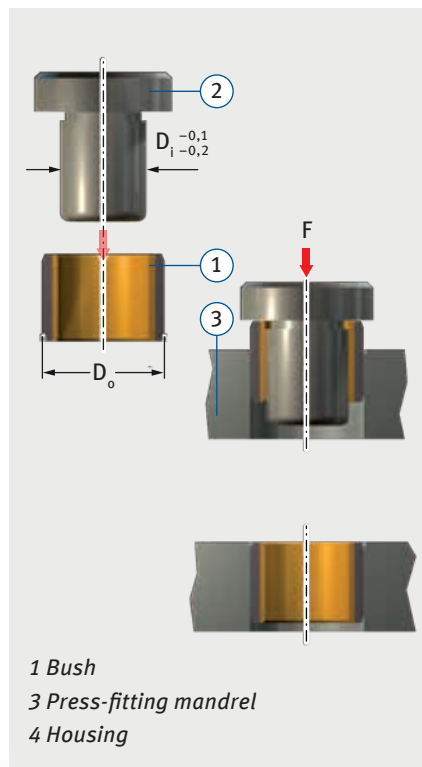
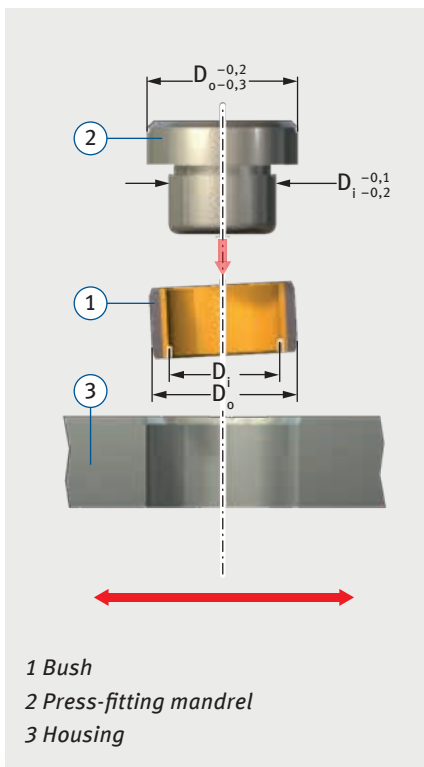


Fig. 1: Press-fitting with moving housing

Fig. 2: Flush press-fitting  $D_o \leq 55$  mm

Fig. 3: Recessed press-fitting  $D_o \geq 55$  mm

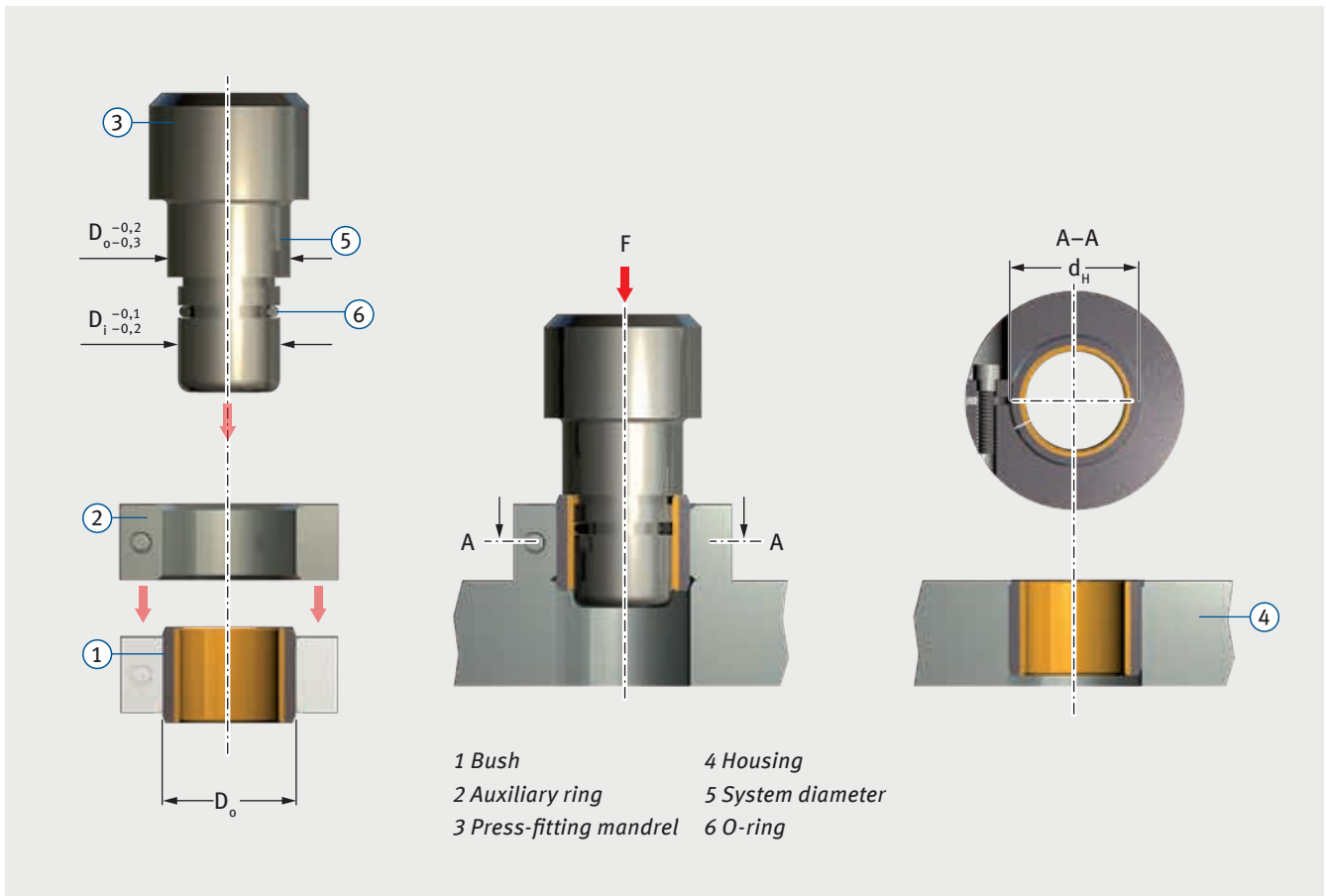
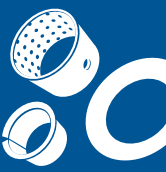


Fig. 4: Press-fitting bushes,  $D_o \geq 55$  mm, with auxiliary ring

Table 1 allows you to calculate the required inside diameter  $d_H$  of the auxiliary ring on the basis of the stated outside diameter  $D_o$  of the bush.

$D_o$ (mm)	$d_H$ (mm)	
$55 \leq D_o \leq 100$	$D_o$	+0.28
		+0.25
$100 < D_o \leq 200$	$D_o$	+0.40
		+0.36
$200 < D_o \leq 305$	$D_o$	+0.50
		+0.46

Tab. 1: Inside diameter  $d_H$  of auxiliary ring