



KS PERMAGLIDE® plain bearings

Bearings of the grippers in film stretching machines

Sector: Packaging industry

Product used:

KS PERMAGLIDE® plain bearing flange bush design PAF ... P10

Function

To give film special characteristics, e.g. tear strength or shrink properties, the films are machined on film stretching machines. The machined films are used for packaging and in technical areas of application, for example.

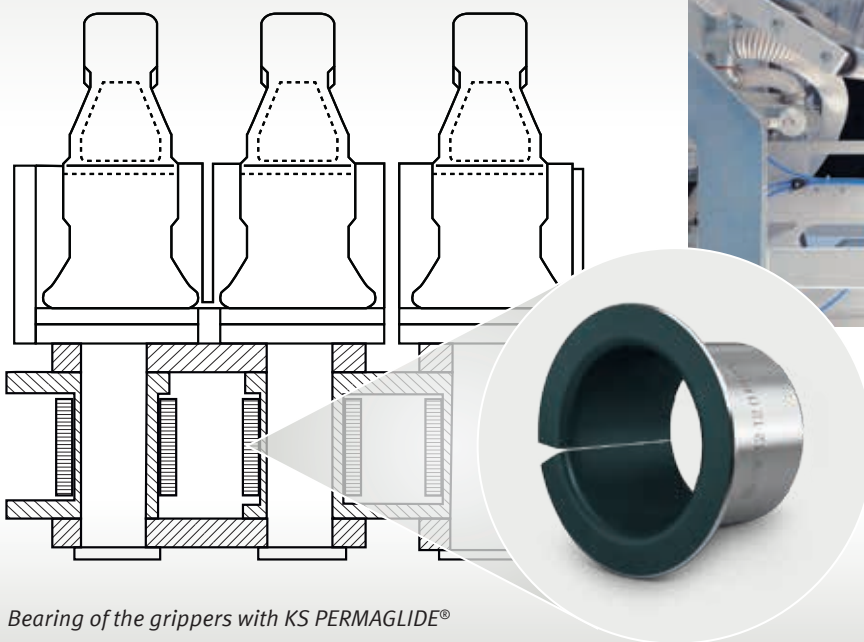
Hundreds of carriages are arranged one behind the other in film stretching machines. These carriages are known as grippers and are used for gripping and clamping the film.

Bearing of the grippers on film stretching machines with KS PERMAGLIDE® P10 plain bearing flange bushes

The bearing positions are subject to an oscillating movement. The bushes are used in continuous operation for up to 4 years.

Advantage: Reliable function of the bearing with KS PERMAGLIDE® P10 plain bearings

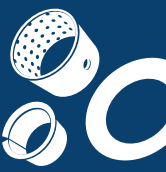
- Maintenance-free operation under dry-running conditions
- Good chemical resistance
- Low friction value
- suitable for oscillating movements up to a speed of 2 m/s
- Temperature range -200 °C to 280 °C



Bearing of the grippers with KS PERMAGLIDE® P10 plain bearing flange bushes



Packaging machine



Note for the food industry:
The material P10 contains lead and must not be used in the food sector. The unleaded materials P14 and P147 are used for the food sector.

Description of material
KS PERMAGLIDE® P10 is a universal plain bearing material for both dry and lubricated applications. The composite, multi-layered material excels thanks to its high rigidity, durability, high chemical resistance and good emergency running properties. These characteristics are achieved to a great extent through the use of lead bronze sintered onto a steel base, and friction-lowering additives of fluoropolymer PTFE and the metal lead.

**Further information on
KS PERMAGLIDE® P10 plain bearings**

- KS PERMAGLIDE® catalogue, item no. 50003863-02
- KS PERMAGLIDE® online catalogue www.permaglide.com/onlineshop/

