

# KS PERMAGLIDE® plain bearings: Bearing pivoted joint utility vehicle driver's cab

**Sector: Utility vehicle production**

## Products used

KS PERMAGLIDE® plain bearing bush  
design PAP ... P20

## Function

To reach the engine under the cab for maintenance work on utility vehicles, the driver's cab is tilted forwards. The pivoted joint on the driver's cab is fitted with two plain bearings for the swivel movement.

The pivoted joint must always work smoothly, even if it is not used frequently. The pivoted joint is constantly subjected to shocks and vibrations during travel. This means that there is a risk of tribocorrosion on the plain bearings.

KS PERMAGLIDE® P20 plain bearing bushes were installed in the application. Using the KS PERMAGLIDE® plain bearing bushes means that no tribocorrosion occurs.

A plain bearing is positioned on each side of the swivel axis. The plain bearing bushes were pressed into a needle bush for easy mounting.

The plain bearings were lubricated prior to installation. The lubrication is sufficient for the entire service life. The sliding speed and temperature are negligible in this application.

**Advantage: reliable function of the bearing with KS PERMAGLIDE® P20 plain bearing bushes**

- High wear resistance
- No tribocorrosion
- Insensitive to shocks and impacts
- Good damping characteristics

- Low-maintenance operation with lubrication
- Highly stressable
- Insensitive to moisture due to low swelling tendency
- Insensitive to dirt

## Description of material

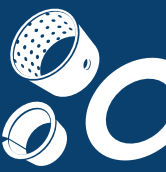
KS PERMAGLIDE® P20 is a low-maintenance, high-performance leaded bearing material. The material is designed for grease-lubricated or liquid-lubricated applications. This composite, multi-layered material excels thanks to its high rigidity, durability and resistance to oscillation and vibration.

These characteristics are largely achieved by a sliding layer system made of polyvinylidene fluoride (PVDF), polytetrafluoroethylene (PTFE) and lead. The wear-resistant material has already proven itself many times in industry.

The standard P20 version features oil distributing pockets as per DIN ISO 3547. The bearings are provided ready to install for recommended connection-design installation dimensions. Also available are versions with a different wall thickness, suitable for rework when installed, or with a smooth sliding surface for hydrodynamic applications.



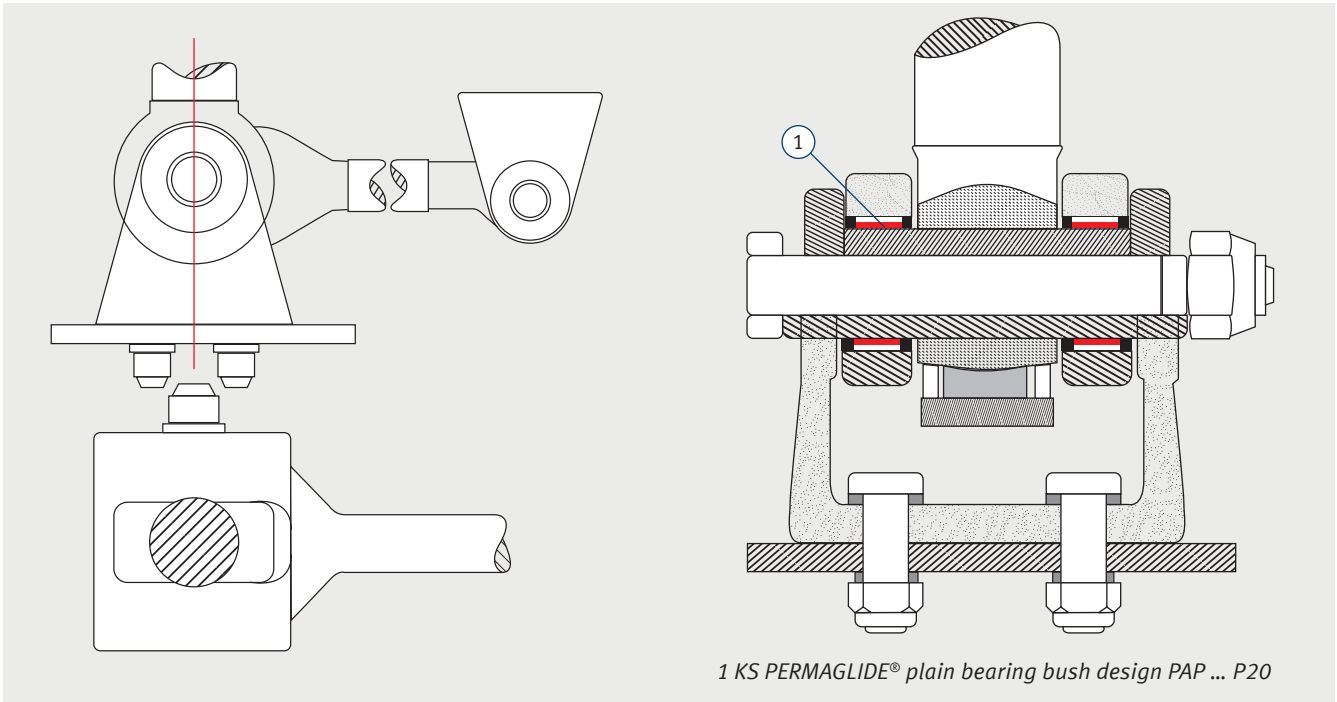
Bearing with KS PERMAGLIDE® plain bearing bush design PAP ... P20



**Other designations**

Cab tipping system

Cabin pivoted joint



*Detail pivoted joint*

Further information on  
KS PERMAGLIDE® plain bearings

- KS PERMAGLIDE® catalogue,  
item no. 50003863-02
- KS PERMAGLIDE® OnlineShop  
[www.permaglidge.com/onlineshop](http://www.permaglidge.com/onlineshop)