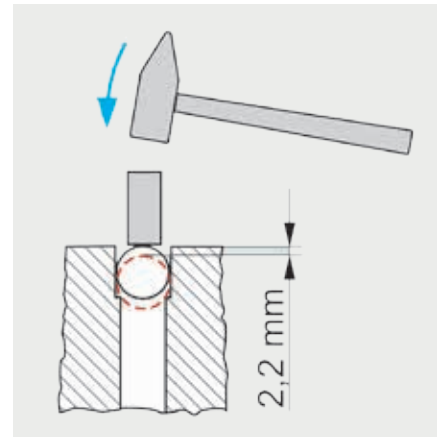
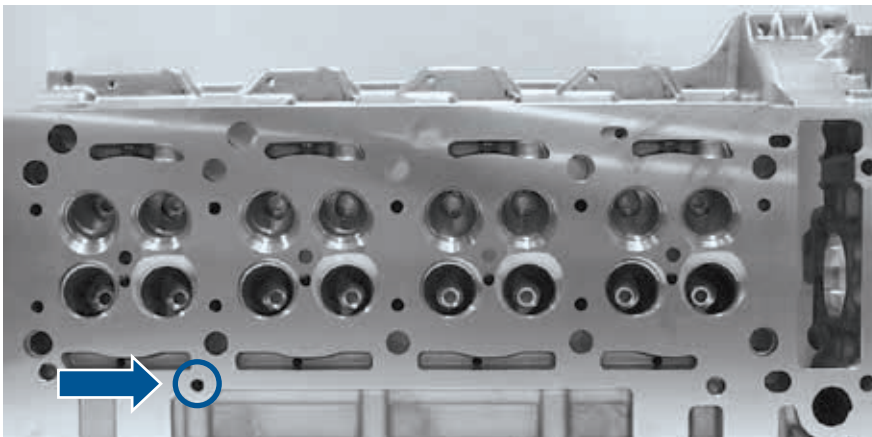




Fitting instructions for cylinder heads OM 611/646

| Engine manufacturer: Mercedes-Benz | |
|------------------------------------|------------------------------|
| Engine types | Art.-No. |
| OM 611.980/.981/.983/.987 | 20.0803.61100, 20.0803.61101 |
| OM 646.951/.961-963/.966 | 20.0803.64600, 20.0803.64602 |



Attention: Check whether the cylinder head being replaced (dismantle unit) has a $\varnothing 8$ mm ball inserted in the coolant channel indicated. If this is the case, the $\varnothing 8$ mm ball provided in the accessory pack must be fitted to your new cylinder head.