



# Euro-3 piston version also for Euro-2 engines

Engine manufacturer	Engine series
Mercedes-Benz	OM 501 LA, OM 521.940, OM 541.920 - 541.947, OM 941.910 - 941.990, OM 502 LA, OM 522.940, OM 542.920 - 542.957, OM 942.900 - 942.990

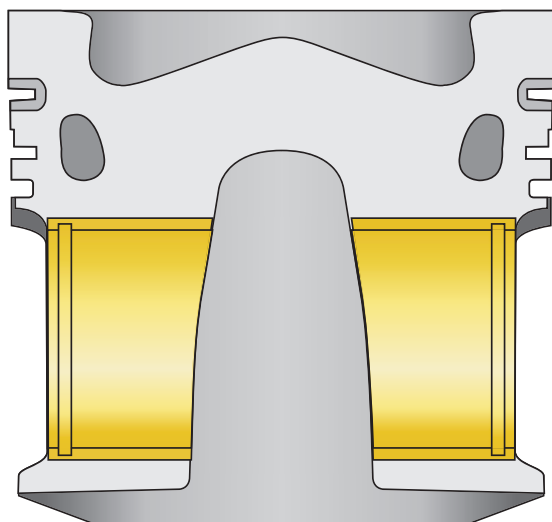


Fig. 1: Euro-2 Version

**Combustion Bowl diameter 88,5 mm**  
**Combustion Bowl depth 18,1 mm**

With the engines mentioned above, the piston for the Euro-3 engine can also be installed in Euro-2 engines, but not vice versa. This is an exception. The combustion chamber volume is not altered by the slightly modified bowl dimensions. This modification has been technically tested and approved. If the Euro-3 piston version is used in Euro-2 engines, the replacement should be carried out setwise.



**Attention:**

Pistons with different combustion-chamber bowl dimensions are not generally interchangeable. The case above is an exception.

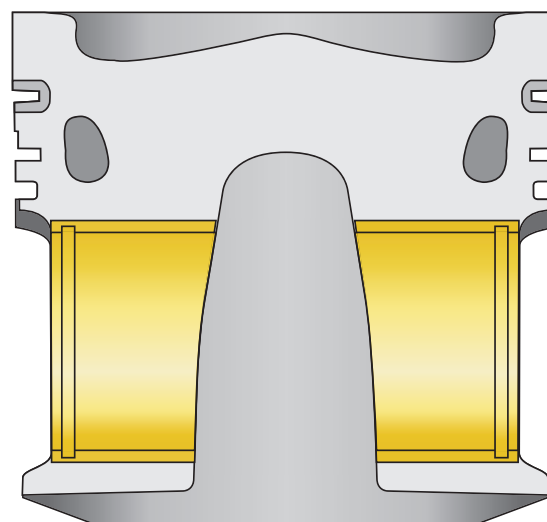


Fig. 2: Euro-3 Version

**Combustion Bowl diameter 92,8 mm**  
**Combustion Bowl depth 16,5 mm**

**Interchangeability:**

Euro-2 piston → ~~X~~ → Euro-3 engine  
Euro-2 engine ← ← Euro-3 piston

**Ordering information:**

Piston Euro-2	99 378 700
Piston Euro-2 <sup>1</sup>	40 038 600
Piston Euro-3 <sup>1</sup>	40 463 600

<sup>1</sup> Piston with reduced compression height (-0,3 mm)