



FL 1709

For technical personnel only!

1/2

APPLICATION INFO

BEARINGS IN CLEATED CHAINS ON HIGH BAY LIFT TRUCKS

INDUSTRY

Forklift truck technology, transport device construction, storage technology

PRODUCT USED

KS PERMAGLIDE® plain bearing bush, type PAP ... P20

FUNCTION

High bay lift trucks transport pallets or receptacles in high bay warehouses between the shelves and the picking stations. The lift truck lifts and lowers the receptacle or pallet holder while moving through the aisles. The receptacles are placed in or removed from storage by a transfer device. The transfer device extends out of the lift truck at the side and aligns the receptacle holder to the shelf.

High bay lift trucks are used in normal temperatures, but also in refrigerated warehouses down to temperatures of -30 °C.

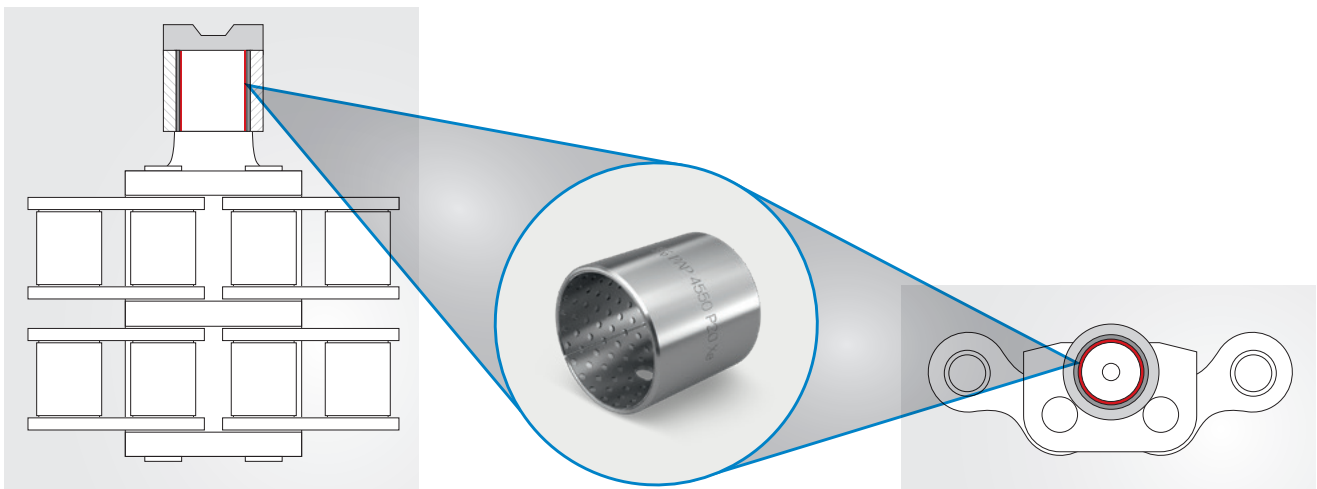
REQUIREMENTS FOR THE BEARINGS IN HIGH BAY LIFT TRUCKS

- high operational safety
- long service life
- low maintenance requirements
- insensitive to heat, cold, dirt, moisture
- simple design

BEARING WITH KS PERMAGLIDE® P20 PLAIN BEARING BUSHES

In the transfer device, two double roller chains hook a driver into the angle trims of the receptacle and slide the receptacle into the shelf to put it into storage. A journal with rollers is mounted with bearings in the driver, which reduces the wear between the driver and angle trim of the receptacle.

Low-maintenance plain bearing bushes made from KS PERMAGLIDE® P20 material were pressed into the rollers of the driver. This means that the bearings turn smoothly around the journals.



Bearings in cleated chains on high bay lift trucks with KS PERMAGLIDE® plain bearing bushes, type PAP ... P20



ADVANTAGES OF THE KS PERMAGLIDE® P20 PLAIN BEARING BUSHES FOR USE IN HIGH BAY LIFT TRUCKS

- low-maintenance operation and long service life
- smooth turning
- high pressure resistance
- high wear resistance
- insensitive to dirt and moisture
- insensitive to cold and heat

DESCRIPTION OF MATERIAL

KS PERMAGLIDE® P20 is a low-maintenance, high-performance leaded bearing material. The material is designed for grease-lubricated or liquid-lubricated applications. This composite, multi-layered material excels thanks to its high rigidity, durability and resistance to oscillation and vibration. These characteristics are largely achieved by a sliding layer system made of polyvinylidene fluoride (PVDF), polytetrafluoroethylene (PTFE) and lead. The wear-resistant material has already proven itself many times in industry.

The standard P20 version features oil distributing pockets as per DIN ISO 3547. The bearings are provided ready to install for recommended connection-design installation dimensions. Also available are versions with a different wall thickness, suitable for rework when installed, or with a smooth sliding surface for hydrodynamic applications.



High bay lift trucks

FURTHER INFORMATION ON KS PERMAGLIDE® PLAIN BEARINGS

KS PERMAGLIDE® catalogue, item no. 50003863-02