



PRODUCT **COMPETENCE**

BF SPARE PARTS
OIL PUMPS AND WATER PUMPS
FOR SCANIA AND VOLVO TRUCKS

PASSION FOR **TECHNOLOGY.**



EXPERTISE IN WATER PUMPS

WATER PUMPS – COOLING FOR A LONG ENGINE LIFE

The water pump is the central component in the coolant circuit. It conveys the cooling liquid in the sealed engine cooling system. Variable coolant pumps provide demand-based engine cooling, reduce power requirements and cut frictional losses, fuel consumption and pollutant emissions. The Rheinmetall Automotive production sites produce more than ten million mechanical and electrical water pumps for motor vehicles and utility vehicles every year.



MECHANICAL WATER PUMPS

The cooling liquid in the water pump absorbs the heat from the engine block and cylinder head and releases it into the ambient air through the cooler.

Depending on their design, mechanical water pumps are located either externally on the engine in their own pump housing or are flanged directly on the crankcase and are driven by a V-belt, a toothed belt or directly by the engine.



VARIABLE WATER PUMPS

On a variable water pump with electromagnetic clutch, the impeller of the pump turns significantly slower than the drive when the clutch is not supplied with power. The full delivery rate is only achieved when the clutch is supplied with power.

MOTORSERVICE WATER PUMPS

Manufacturer	BF no.	Ref. no.*	Engine
Volvo ¹	20 1604 07000	21417491	D7/TAD7
	20 1604 11000	21974080	D11 EU5/6
	20 1604 11001	22423448	D11 EU5/6
	20 1604 11002	22244090	D11 EU5/6
	20 1604 12001	220 1067	D12 EU3
	20 1604 12002	20734268	D12 EU3
	20 1604 12003	8149882	D12 EU2
	20 1604 12100	20431484	D12/TAD123
	20 1604 12200	1675945	D12/TAD122
	20 1604 13000	22195450	D11/13/16 EU3
	20 1604 13001	21960481	D13 EU5/6
	20 1604 13002	21960479	D13 EU5/6
	20 1604 13003	22183231	D13 EU5/6
	20 1604 70010	1699784	TD60/70
	20 1604 73000	20575653	D7/TD61/63
	20 1622 62465	50 10 438 102	MIDR EU2
	Scania ²	20 1607 09000	1540490
20 1607 09001		2224112	DC9/13 EU5
20 1607 11000		1672680	DS11
20 1607 11004		1508533	DSC12 EU2
20 1607 12000		1787120	DC12 EU5
20 1607 13000		1778923	DC13 EU5
20 1607 13001		2224045	DC13 EU6
20 1607 14004		1508534	DSC14 EU2
20 1607 16000		1793989	DS16 EU4/5

¹ The Volvo Group includes vehicles from: Volvo Trucks and Buses, Renault Trucks/RVI, MACK, UD Trucks, Volvo White, Volvo BM

(construction machines), Volvo Penta
² The Traton Group includes vehicles from: Scania Trucks and Buses, MAN Trucks and Buses, Neoplan, Navistar, Volkswagen Caminhões e Ônibus

QUALITY FEATURES OF OUR WATER PUMPS

- High-quality sliding ring sealing cartridge
- Maintenance-free, long-life rolling bearings
- Flow-optimised impellers made from plastic, steel, aluminium or brass
- Gaskets and O-rings are included in the scope of supply
- OE expertise from a technology leader

EXPERTISE IN OIL PUMPS

OIL PUMPS – LUBRICATION FOR A LONG ENGINE LIFE

Oil pumps deliver oil from the oil pan through the oil filter and oil cooler to the lubricating points of the engine. This ensures that engine parts are supplied with a sufficient quantity of lubricating oil.

For effectively functioning cooling and lubrication, the total oil volume must be pumped through the engine four to six times per minute.

Moreover, the oil pump design must ensure that the lubricating points are supplied with fresh oil as fast as possible after cold starting, and the flow rate is always adequate even at low engine speeds.

The quality of an oil pump in terms of design and workmanship contributes significantly to a long and efficient engine life.

Don't take any chances and choose one of the renowned pumps from the BF brand.

Rheinmetall Automotive is the OE supplier for all reputable engine manufacturers in the automotive and light utility vehicle industry, with numerous patents for oil pumps and producing tens of millions of oil pumps worldwide each year.

Based on this know-how, Motorservice offers a broad product range for over 3,000 engine applications from the renowned, Pierburg and BF brands.



Volvo "I-Shift" transmission oil pump



OIL PUMPS FROM MOTORSERVICE

Manufacturer	BF no.	Ref. no.*	Engine	
Volvo ¹	20 1404 04000	3583623	TD60	
	20 1404 06000	466387	TD60	
	20 1404 06100	471570	TD61	
	20 1404 07000	466530	TD70	
	20 1404 07100	477547	TD71	
	20 1404 09000	20758237	D9	
	20 1404 10000	467517	TD100	
	20 1404 10100	479319	TD101	
	20 1404 10200	479317	TD102/103	
	20 1404 11000	22196494	I-Shift	
	20 1404 11001	21736639	D9/D11	
	20 1404 12000	468351	TD120	
	20 1404 12002	22396953	D12	
	20 1404 12200	4786497	TD122/123	
	20 1404 13001	20824908	D13/TAD13	
	20 1404 16000	22411770	D16/TAD16	
	20 1404 FH120	21261593	D12 EU2	
	20 1422 11000	5010477184	DCI11	
	Scania ²	20 1407 09000	2209508	DC9 EU5
		20 1407 09003	1402401	DC9 EU3
20 1407 09004		2055915	DC9 EU6	
20 1407 11000		3014735	DS11	
20 1407 12000		1448659	DC12 EU4	
20 1407 12001		2028987	DC12 EU5	
20 1407 13000		2105497	DC13 EU5	
20 1407 16000		1888026	DC16 EU5	
20 1407 16001		2092332	DC16 EU6	

¹ The Volvo Group includes vehicles from: Volvo Trucks and Buses, Renault Trucks/RVI, MACK, UD Trucks, Volvo White, Volvo BM (construction machines), Volvo Penta

² The Traton Group includes vehicles from: Scania Trucks and Buses, MAN Trucks and Buses, Neoplan, Navistar, Volkswagen Caminhões e Ônibus

OIL PUMP FOR SCANIA – COMPARED TO A COMPETITOR

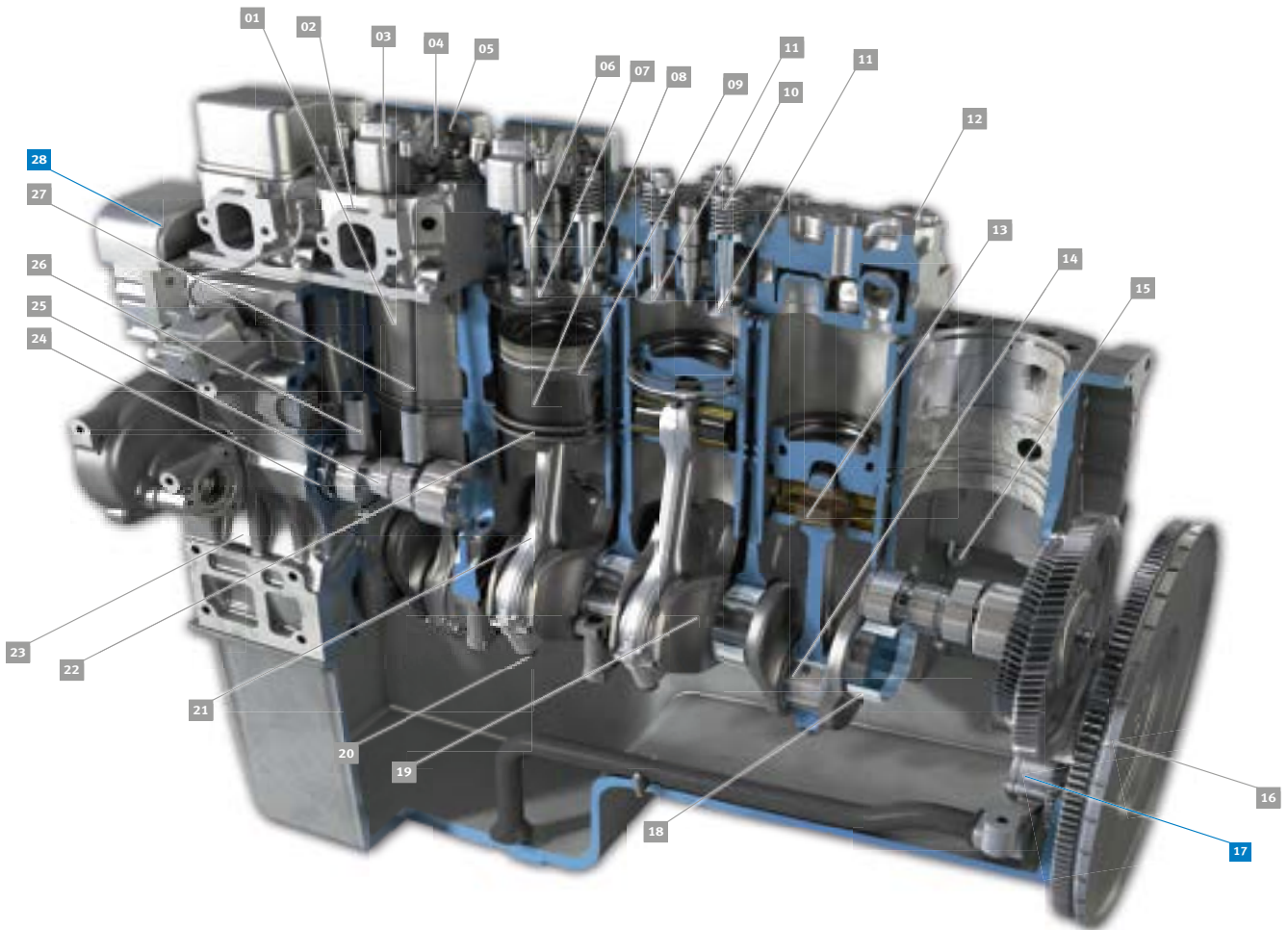


Minimum tooth flank clearance thanks to optimum production quality in mechanical machining – a guarantee of even running, low noise generation and durability.



Competitor comparison

PRODUCT RANGE



- 01 Cylinder liner
- 02 Cylinder head
- 03 Rocker arm bearing block
- 04 Rocker arm bush
- 05 Rocker arm
- 06 Valve guide
- 07 Valve seat insert
- 08 Pistons
- 09 Piston rings
- 10 Valve spring + accessories
- 11 Intake/exhaust valves
- 12 Cylinder head bolt
- 13 Conrod bush
- 14 Connecting rod bearing
- 15 Oil injection jet
- 16 Fly wheel
- 17 Oil pump
- 18 Main bearing
- 19 Crankshaft
- 20 Connecting rod bolt
- 21 Connecting rod
- 22 Sealing rings
- 23 Crankcase
- 24 Camshaft bearing
- 25 Camshaft
- 26 Tappet
- 27 Valve push rod
- 28 Water pump



KNOW-HOW TRANSFER

PROFESSIONAL KNOWLEDGE FROM THE EXPERTS

WORLDWIDE TRAINING

Each year, around 4,500 mechanics and engineers benefit from our training courses and seminars, which we hold on-site in locations across the world or in our training centres in Neuenstadt, Dormagen and Tamm (Germany).

TECHNICAL INFORMATION

Our Product Information and Service Information publications, technical brochures and posters keep you at the forefront of the latest technological developments.

TECHNICAL VIDEOS

Our videos provide you with useful information on our products, such as hands-on fitting instructions and system descriptions.



PRODUCTS IN FOCUS ONLINE

Interactive elements, animations and video clips provide interesting information about our products in and around the engine.

ONLINESHOP

Order at any time. Quick availability check. Extensive product search by engine, vehicle, dimensions etc.

NEWS

Subscribe online to our free newsletter now and receive regular information about additions to the product range, technical publications and much more.

INDIVIDUAL INFORMATION

We provide extensive information and services relating to our wide range of services: e.g. personalised sales-promoting materials, sales support, technical support and much more.



TECHNIPEDIA

We share our know-how with you in our Technipedia. You can get professional knowledge direct from experts here.

MOTORSERVICE APP

Here, you will find the latest information and services relating to our products quickly and easily.

SOCIAL MEDIA

Always up to date



HEADQUARTERS:

MS Motorservice International GmbH

Wilhelm-Maybach-Straße 14–18

74196 Neuenstadt, Germany

www.ms-motorservice.com

www.rheinmetall.com

© MS Motorservice International GmbH – BR 1903-02 – EN – 11/19 (112019)